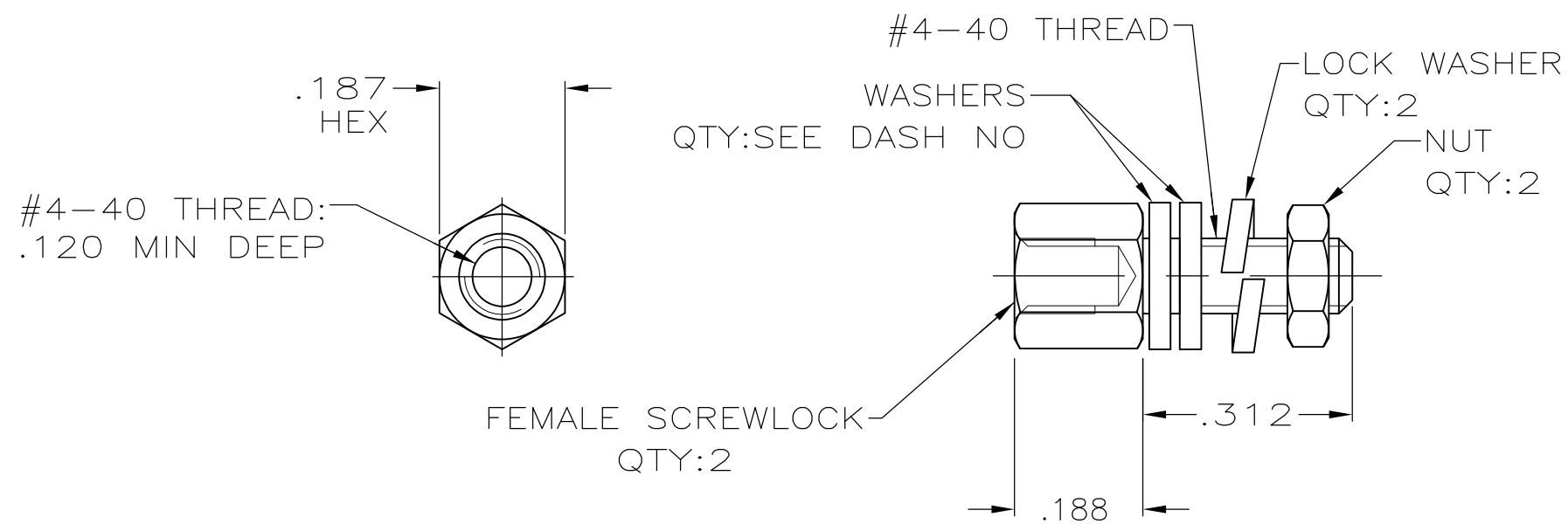


THIS DRAWING IS UNPUBLISHED. RELEASED FOR PUBLICATION
 © COPYRIGHT - By - ALL RIGHTS RESERVED.

| | | | | | | | |
|-----|------|-----------|-----|---------------------------|-----------|-----|------|
| LOC | DIST | REVISIONS | | | | | |
| GP | 00 | P | LTR | DESCRIPTION | DATE | DWN | APVD |
| | | D | | REVISED PER ECO-11-020105 | 26OCT2011 | CJV | CWR |



- 1 ZINC PLATED .000200-000400 THICK YELLOW CHROMATE COATING.
- 2 ZINC PLATED .000200-000400 THICK CLEAR CHROMATE COATING.
- 3. PARTS PACKAGED UNASSEMBLED.
- 4 PARTS PACKED AS A UNIT KIT.
- 5 PARTS INDIVIDUALLY BULK PACKED & SHIPPED AS A UNIT PACKAGE.
- 6. IDENTIFIED BY MIL SPEC PART NUMBER M24308/26-1 FOR -8 ONLY & TYCO PART NUMBER (FOR ALL DASH NUMBERS).
- 7 CHROMATE FINISH PER ASTM B633 EXCEPT FOR USE OF TRIVALENT CHROMIUM TO MEET RoHS REGULATIONS.

| | | | | |
|----------|-----------|---------------|--------|-------------|
| OBSOLETE | 4 | 6 | 1 | 5205817-9 |
| | 4 | 6 | 1/7 | 5205817-8 |
| | 5 | 4 | 2 | 5205817-4 |
| | 4 | 4 | 2 | 5205817-3 |
| | 5 | 4 | 1 | 5205817-2 |
| | 4 | 4 | 1 | 5205817-1 |
| | PACKAGING | NO OF WASHERS | FINISH | PART NUMBER |

| | | | | | | | |
|--|-------------------|------------------|------------|-----------------------------------|----------------------------|------------|-----------|
| THIS DRAWING IS A CONTROLLED DOCUMENT. | | DWN | S.WAITMAN | 27JUN05 | STE TE Connectivity | | |
| DIMENSIONS: INCHES | | CHK | C.ROHDE | 27JUN05 | | | |
| TOLERANCES UNLESS OTHERWISE SPECIFIED: | | APVD | M.WALMSLEY | 27JUN05 | NAME | | |
| 0 PLC ± - | | PRODUCT SPEC | | KIT, SCREWLOCK, FEMALE, AMPLIMITE | | | |
| 1 PLC ± - | | APPLICATION SPEC | | - | | | |
| 2 PLC ± - | | SIZE | A3 | CAGE CODE | 00779 | DRAWING NO | C-5205817 |
| 3 PLC ± .005 | | WEIGHT | - | RESTRICTED TO | | - | |
| 4 PLC ± - | | CUSTOMER DRAWING | | | | | |
| ANGLES ± - | | SCALE | 4:1 | SHEET | 1 OF 1 | REV | D |
| MATERIAL | COLD ROLLED STEEL | FINISH | | SEE TABLE | | | |